

Zirkonzahn[®]

Human Zirconium Technology

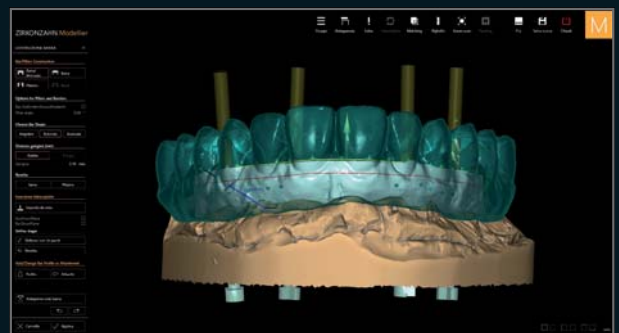
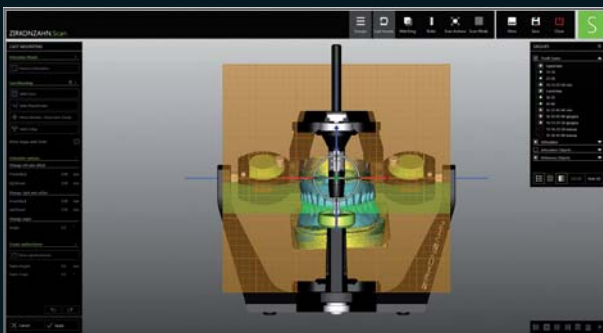


PRETTAU[®] 2 DISPERSIVE[®]

The Zirkonzahn Culture

BAR-SUPPORTED BRIDGES MADE OF PRETTAU® 2 DISPERSIVE® ON FOUR IMPLANTS EACH

- Initial situation:* Complete tooth extraction due to impaired residual dentition on a middle-aged patient
- Patient request:* A young smile with healthy, bright teeth
- Available data:* 2D photos and scans of the removable prostheses worn by the patient
- Planned restoration:* Two bar-supported full arches with gingival portion made of Prettau® 2 Dispersive® zirconia on four implants each
- Realisation:*
- In the Zirkonzahn.Modifier software, on the basis of the scanned prostheses, creation of a digital wax-up using the virtual libraries with sets of teeth and gingiva
 - Import of the wax-up into the Zirkonzahn.Modellier software; adjustment of the eight direct implant connections for the fabrication of a prototype made of Prime resin
 - Checking the aesthetics and function; scanning the prototype
 - Individual design, milling and subsequent digitisation of the two bars
 - Adjustment of the parameters in Zirkonzahn.Modellier to achieve a perfect fit of the secondary structures; digital cutback in the vestibular region of anterior teeth
 - Milling of the zirconia structures in Prettau® 2 Dispersive® AI; manual finishing
 - Infiltration with Colour Liquids Prettau® Aquarell Intensive and application of the new Colour Liquid Prettau® Aquarell Opaque over the walls of bar seat, in order to increase opacity and prevent the bars from shining through the zirconia
 - Light veneering of the gingival and non-functional areas with ICE Ceramics
 - Anodisation in gold and cementation of the titanium bars into the zirconia structures



100% AESTHETICS

*DT Federico Presicci, Dental Laboratory Antonio Lazetera, Savona, Italy
Dr. Massimo Callerio, Cassolnovo, Milan, Italy*



Result: A young and fresh restoration that fully met the patient's wishes





NEW! PRETTAU® 2 DISPERSIVE®

- Pre-coloured zirconia with a natural colour gradient, optimal flexural strength and particularly high translucency
- No limitations! Ideal for monolithic full arch bridges, but also for single crowns, inlays, onlays, veneers, bars and multi-unit bridges (reduced or monolithic)
- No ceramic chipping (thanks to monolithic design), no abrasion of the antagonist
- Can be characterised individually for each patient with Colour Liquid Prettau® 2 Aquarell Intensive, ICE Ceramics, Fresco Ceramics and ICE Stains 3D by Enrico Steger



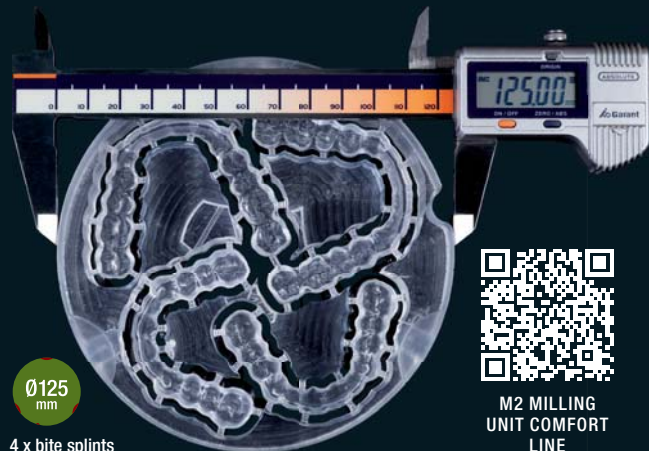
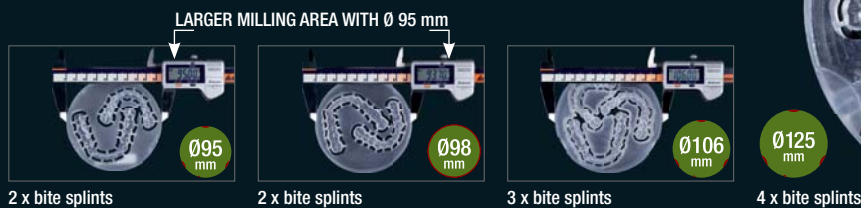
HUMAN ZIRCONIUM TECHNOLOGY

Zirkonzahn Worldwide – Tel +39 0474 066 680 – info@zirkonzahn.com – www.zirkonzahn.com

NEW! 1 ORBIT – 4 DIAMETERS

125, 106, 98 AND 95 mm

M2 MILLING UNIT COMFORT LINE WITH EXTRA-LARGE TELESKOPER ORBIT. FULLY AUTOMATIC, FLEXIBLE AND VIBRATION-FREE.



M2 MILLING
UNIT COMFORT
LINE



WEAB2685EN#