

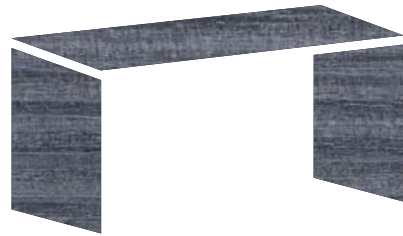
Zirkonzahn[®]

Human Zirconium Technology



MY LABORATORY

Furniture collection designed by Enrico Steger



MY LABORATORY

Furniture collection designed by Enrico Steger



Andreas Steyer

MY LABORATORY - MY HOME

Feelings move people. We perceive beauty in a positive way. We are inspired by beauty. Everybody who works in a well-furnished laboratory is proud of it assuming that he has a good eye for aesthetics. But aesthetic perception should be trained. One must be taught culture in order to develop a sense for it.



We form masterpieces in precious materials with our hands and we proudly present them. This love for our profession vivifies the soul and the recipient of our work will appreciate our effort. We celebrate our workflows to reinforce our perception thereof and to draw strength to carry on. Our domain should reflect all that.

My laboratory, my workplace can be my home if I face my beautiful profession with reverence, respect and humility.



FURNITURE MADE FOR YOU – BY ENRICO STEGER

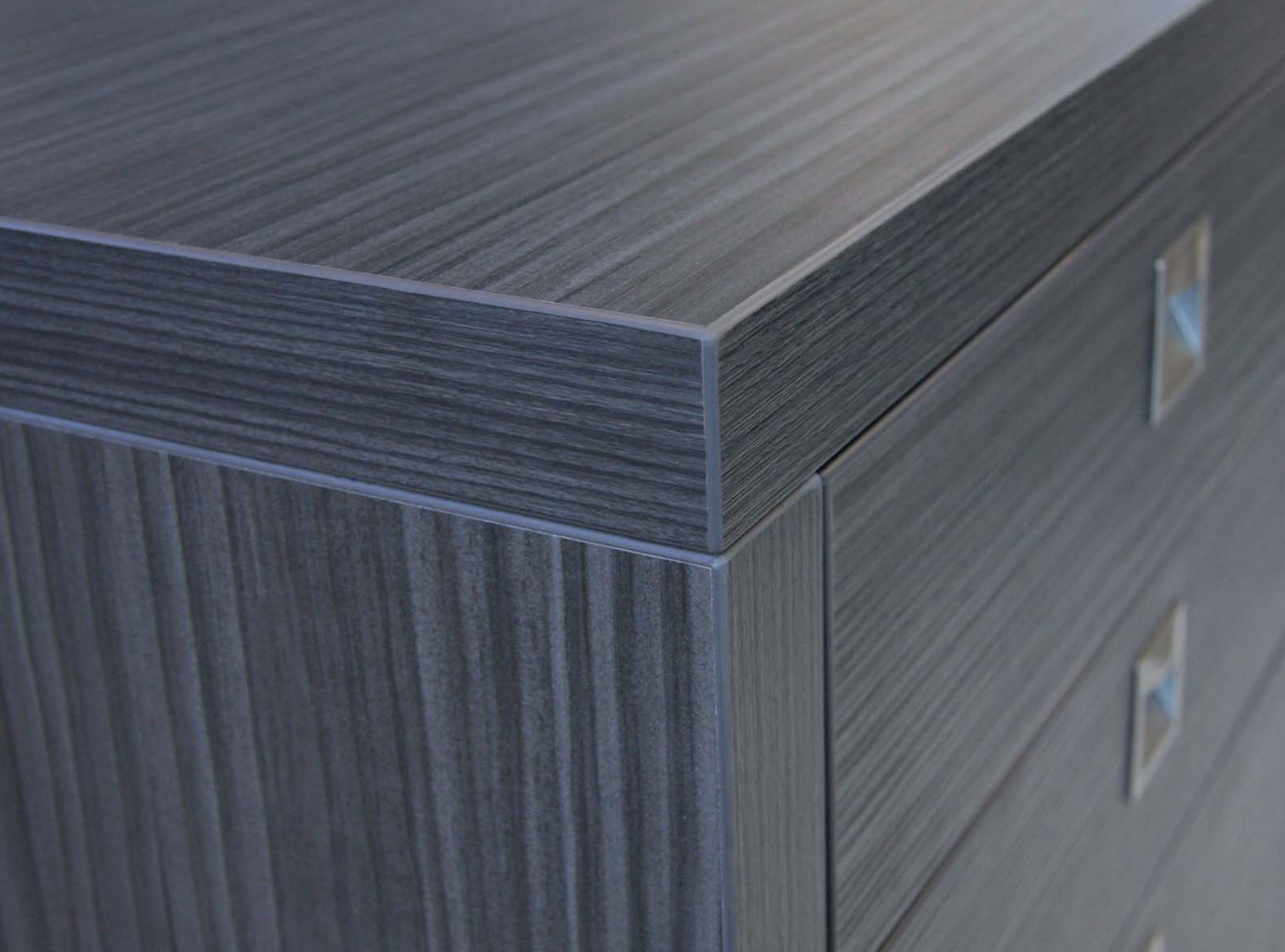
To those who wish to confer a special nature to their laboratory we offer something special.

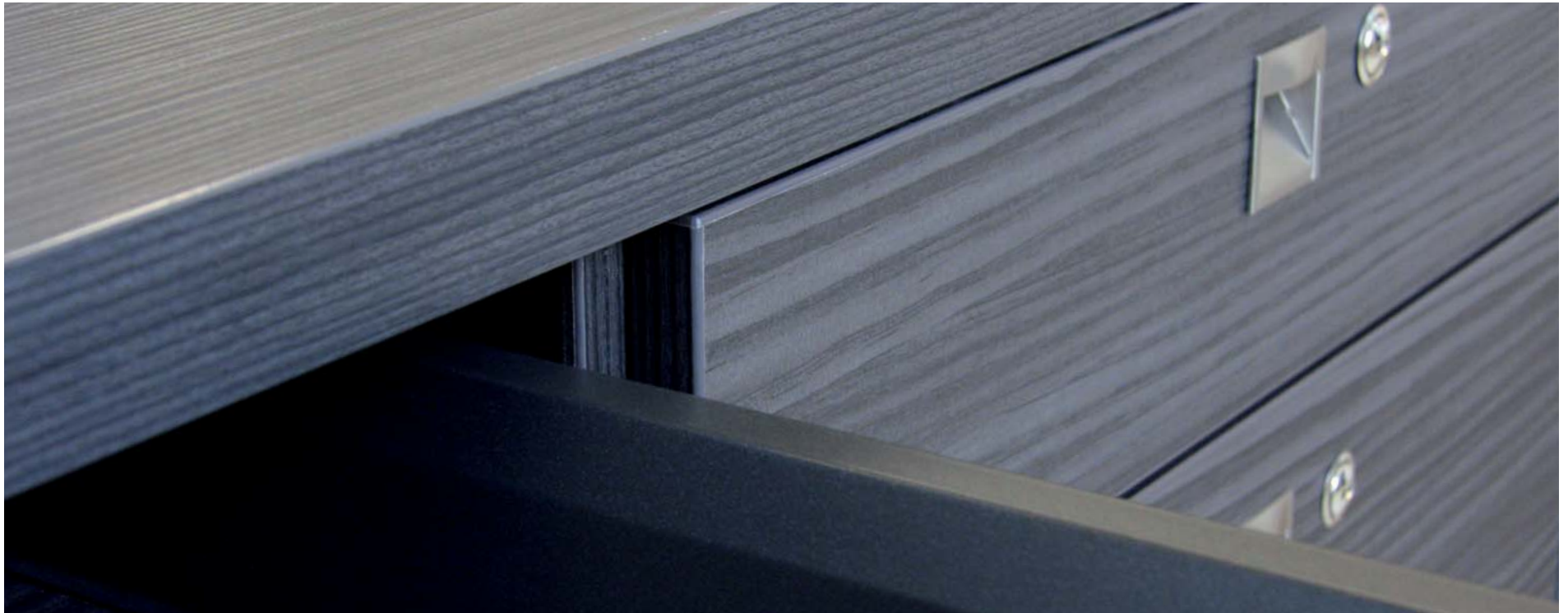
With all our experience and in cooperation with a carpenter of trust, a very skilled craftsman with the best equipment and a work philosophy identical to ours, we manufacture aesthetical and at the same time functional furnishings for the dental laboratory.

The design is timeless because linear and minimalistic. Everything from the desk to the shelf consists of standardised elements that can be combined. Almost every piece of furniture can be delivered with blockable castors. Thus, the entire furniture can be rearranged and flexibly adapted at any time on request.

The entire project does not aim at commercial benefits, but we are happy if we achieve our goal of reinforcing the sense for beauty and of giving more prestige to our handycraft.







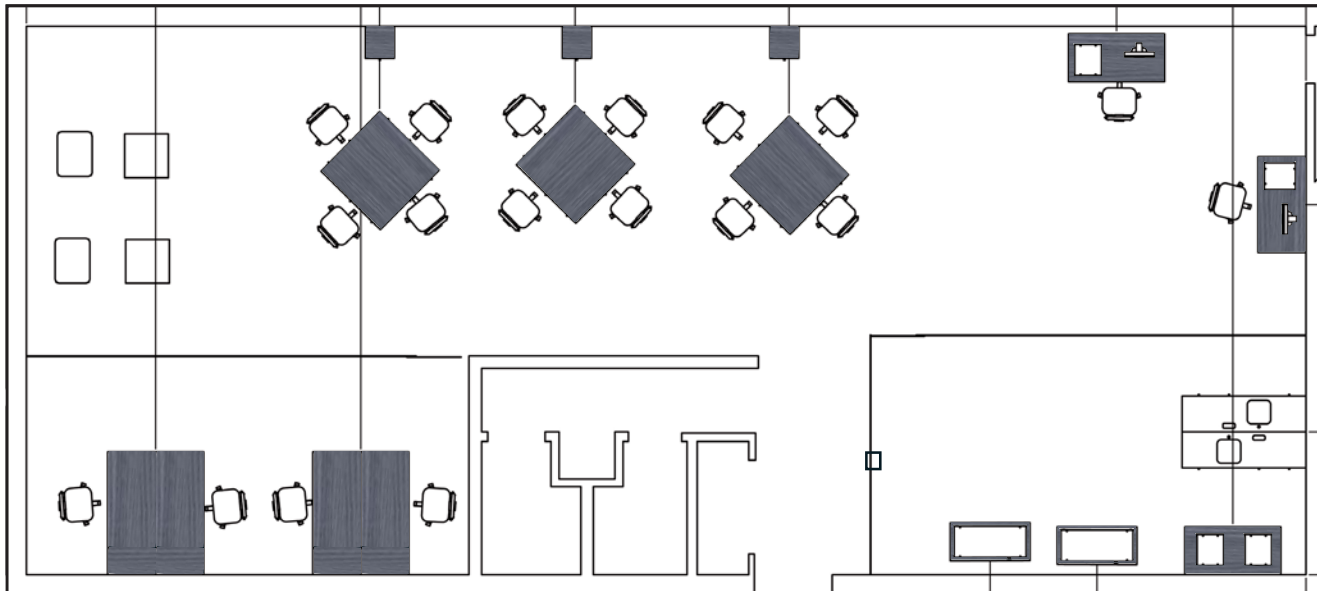
MATERIAL PROPERTIES

For the manufacture of our furniture, only carefully selected materials are used. The decorative wood composite panels have a structured wood imitation that turns the furnishings into an aesthetical experience. Apart from high-quality optics, the surface is also functionally convincing. It is unsusceptible, scratch-proof, easy to clean and needs no special care. All edges are PU-glued, which makes them water and heat resistant. Heavily stressed working surfaces (e.g. conference table) are layered with laminate in order to enhance the abrasion resistance.





Zirkonzahn Heldencampus in Campo Tures – South Tyrol (1)





Zirkonzahn Heldencampus in Campo Tures – South Tyrol (I)

MY PERSONALISED LABORATORY

*The individual pieces of furniture can be combined according to your needs and wishes.
Upon request, we also manufacture custom-made items.*

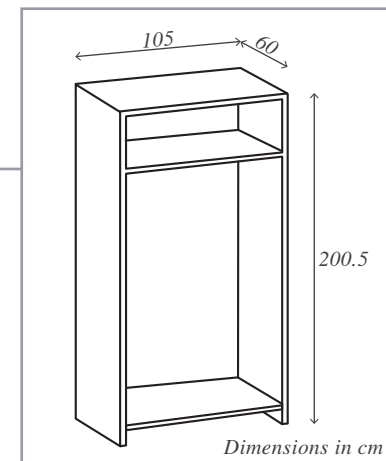


munditia WARDROBE

Wardrobe with stainless clothes rail and storage shelf

Size (W x H x D): 105 x 200.5 x 60 cm

Weight: approx. 120 kg





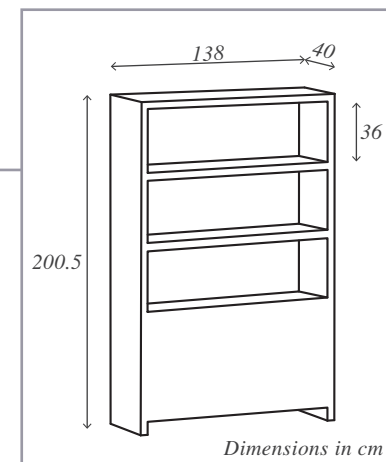
vigor STANDING RACK

Rack with three shelves, ideal for storage of office binders

Also suitable as room partition

Size (W x H x D): 138 x 200.5 x 40 cm

Weight: approx. 138 kg



industria WORK TABLE

Work table without working surface: Item number: ZBZA1001
Granite working surface: Item number: ZBZA1002
HPL working surface: Item number: ZBZA1003
Suction: Item number: ZBZA1004



1 to 4 suctions can be integrated according to requirements



Available without working surface or with granite or HPL working surface

industria WORK TABLE

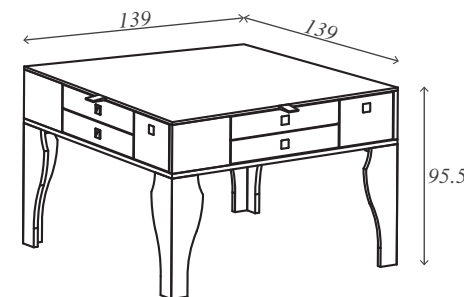
Four-sided work table

Equipment (per workplace and table side): two drawers, a folding compartment with socket outlets, an arm rest (ideal for working on the model) as well as an optionally integrated suction (in the lower drawer)

Working surface available in different versions: granite (3 cm) with ebony handrests or high pressure laminate (HPL; 1.5 cm) with resin handrests

Size (W x H x D): 139 x 95.5 (or 94) x 139 cm

Weight: Table without working surface: approx. 205 kg; granite working surface: approx. 230 kg; HPL working surface: approx. 45 kg; per suction: approx. 8 kg



Dimensions in cm



disciplina TOOL KIT INCLUDING DRAWER INSERT

Tool kit, consisting of: Modeling instruments (1), various scissors (2), dental tweezers (3), tweezers (4), scalpel handle (5), scalpel (5a), modeling spatula (6), soldering tweezers (7), plaster knife (8), wax knife (9), ceramic spatula (10), ceramic brush (11), wax stylus (12), metal stylus (13)

*Including drawer insert with predetermined places for each tool, suitable for upper drawers in the work table **industria***

Size of the drawer insert (W x H x D): 60.7 x 1 x 27.7 cm



With removable background plate as well as exchangeable background cover and glass plate



With integrated attachment hook for studio flash for illumination of the working model from below



Equipment of a functional photo studio

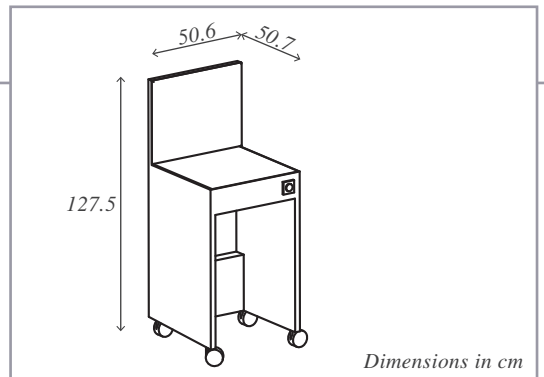


subtilitas PHOTO TABLE

Mobile photo table on double castors

Equipment: an exchangeable black glass plate, a removable background wall with exchangeable, magnetic background cover (for different background colours), four socket outlets and two switches for four studio flashes, a socket outlet for PC, an attachment hook for studio flash

*Proposal on how to set up a functional photo studio: Photo table **subtilitas**, front lighting: two studio flashes with softboxes; rear lighting: two studio flashes without softboxes (e.g. Sambesigroup), each on tripods, reflex camera on tripod as well as PC
Size (W x H x D): 50.6 x 127.5 x 50.7 cm; Weight: approx. 38 kg*



Dimensions in cm



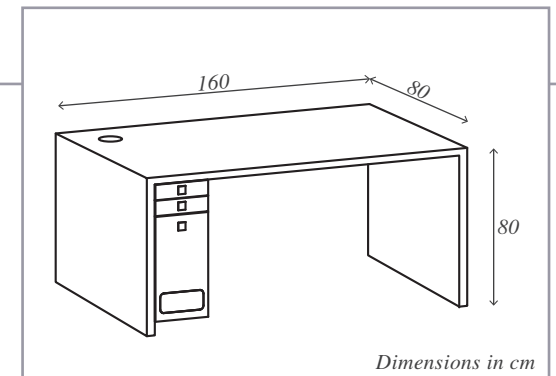
Table is also available with container on the right side

studium OFFICE TABLE WITH PC CONTAINER

Desk with two drawers and PC container with integrated aeration grid

Size (W x H x D): 160 x 80 x 80 cm

Weight: approx. 96 kg



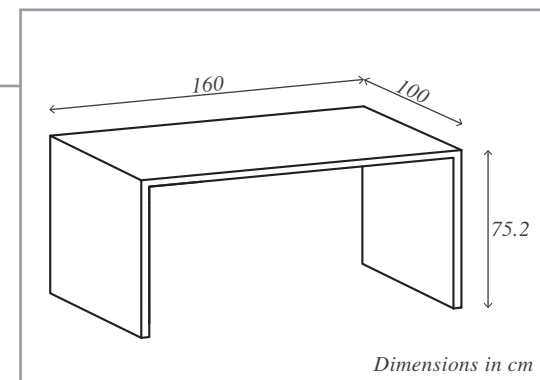
Dimensions in cm



impigritas CONFERENCE TABLE

Size (W x H x D): 160 x 75.2 x 100 cm

Weight: approx. 81 kg

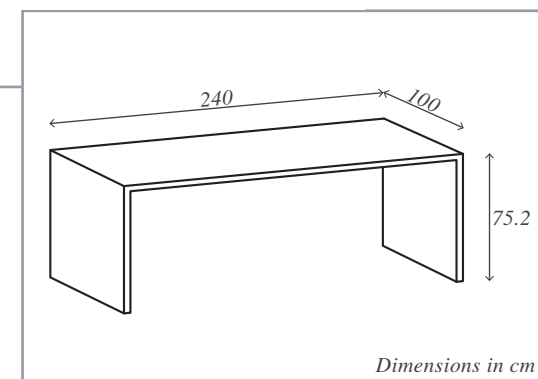




sinceritas CONFERENCE TABLE LARGE

Size (W x H x D): 240 x 75.2 x 100 cm

Weight: approx. 105 kg





Rear side: ideal to be equipped with 24 model boxes **somnia**

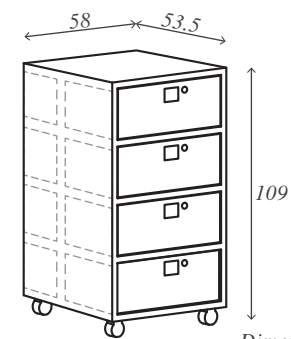
mobilitas RACK ON CASTORS

Shelf element with four lockable drawers on robust double castors

Rear side: four compartments, ideal for 24 model boxes **somnia** for storage of models

Size (W x H x D): 58 x 109 x 53.5 cm

Weight: approx. 93 kg



Dimensions in cm



Including resin containers and etiquettes

x 24



24 model boxes for rack **mobilitas**

somnia 24 MODEL BOXES FOR RACK mobilitas

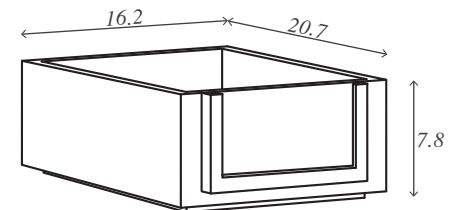
24 model boxes for storing and archiving of models

Material: MDF, lacquered in black

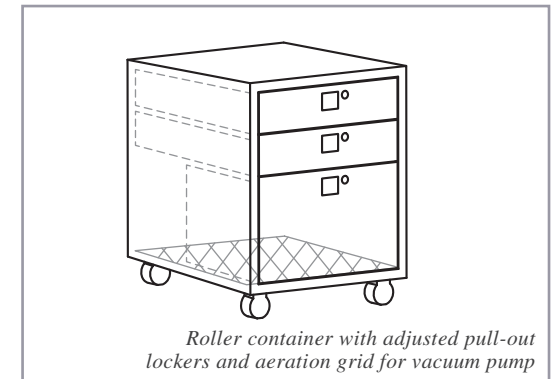
Including 24 easy-to-clean resin containers and 100 etiquettes for marking

Size (W x H x D): external dimensions: 16.2 x 7.8 x 20.7 mm

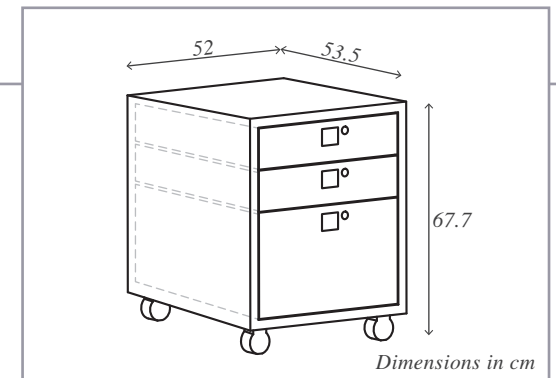
Weight: approx. 0.7 kg per piece (total weight approx. 16.8 kg)



Dimensions in cm



Roller container with adjusted pull-out lockers and aeration grid for vacuum pump



Dimensions in cm

humilitas ROLLER CONTAINER

*Lockable roller container with two drawers and a pull-out locker on single castors
Ideal for setting up of a ceramic furnace (optionally adaptable with aeration grid for vacuum pump)
Size (W x H x D): 52 x 67.7 x 53.5 cm
Weight: approx. 50 kg*

*Adjustable also
for Wet Grinding/
Wet Milling function*



*Ideal for setting up a
CAD/CAM System*



*Rear view: Cut-out for cables and tubes as well
as small door for easier access to the devices*

virtus CAD/CAM CABINET

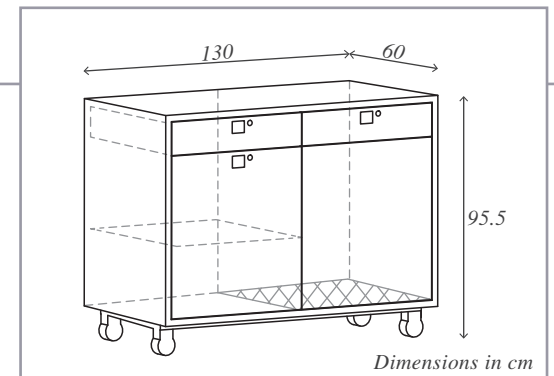
*Two-door, lockable cabinet with one drawer on robust double-castors, a shelf for the interior, a bottom insert for the interior
Ideal for setting up a CAD/CAM System*

*The interior is equipped with aeration grids and cut-outs for cables and suctions and designed for accommodation of the suction, PC
and compressor, also optionally adjustable to Kit Wet Grinding/Wet Milling*

Additional door on the back of the cabinet for easier access to the rear sides of the devices

Size (W x H x D): 130 x 95.5 x 60 cm

Weight: approx. 115 kg



Dimensions in cm



*With extensible
glass cabinet*

perspicio CHEST OF DRAWERS WITH INTEGRATED GLASS CABINET

Three-door, lockable chest of drawers with integrated glass cabinet made of single-pane safety glass (ESG)

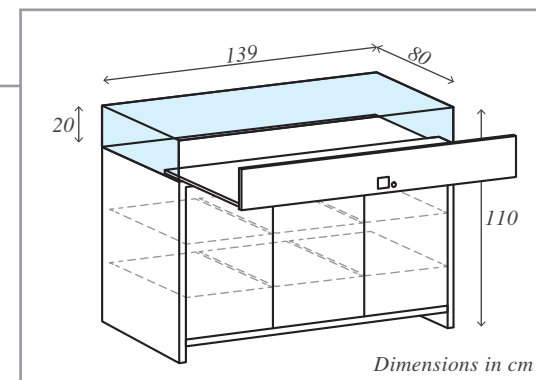
Ideal to set up working models

Easily accessible due to extensible glass cabinet

Six bottom inserts for flexible adjustment of the storage compartments in the interior

Size (W x H x D): 139 x 110 x 80 cm

Weight: approx. 290 kg





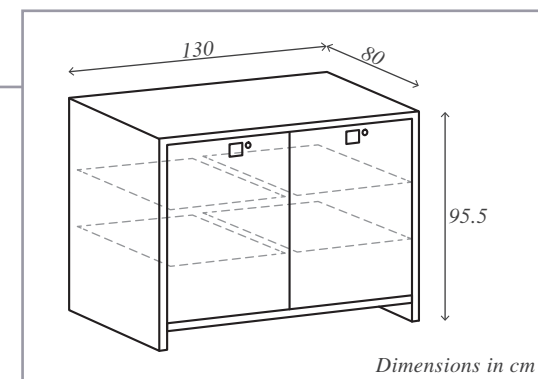
magnitudo CUPBOARD

Two-door, lockable cupboard

Four bottom inserts for flexible adjustment of the storage compartments in the interior

Size (W x H x D): 130 x 95.5 x 80 cm

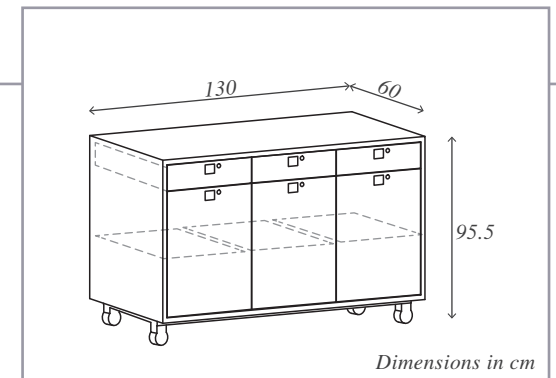
Weight: approx. 175 kg





perseverantia MATERIAL CABINET

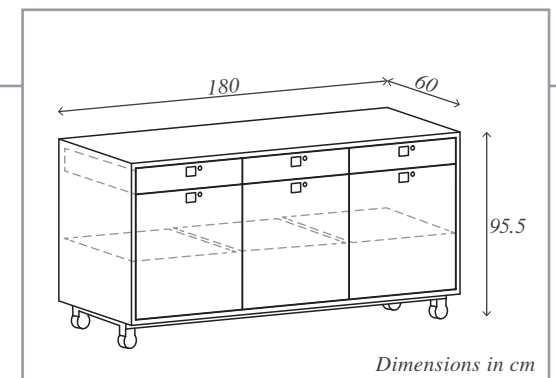
*Three-door, lockable cabinet with three drawers on robust double castors
Three bottom inserts for flexible adjustment of the storage compartments in the interior
Especially suitable for consumables (e.g. milling blanks, Colour Liquids, ceramics, etc.)
Size (W x H x D): 130 x 95.5 x 60 cm
Weight: approx. 147 kg*





patientia MATERIAL CABINET LARGE

*Three-door, lockable cabinet with three drawers on robust double castors
Three bottom inserts for flexible adjustment of the storage compartments in the interior
Especially suitable for consumables (e.g. milling blanks, Colour Liquids, ceramics, etc.)
Size (W x H x D): 180 x 95.5 x 60 cm
Weight: approx. 186 kg*



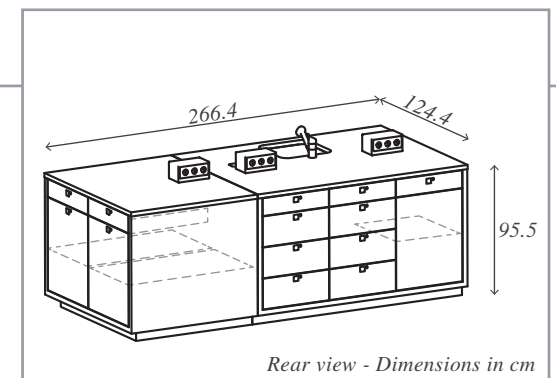
Dimensions in cm



Rear view (predecessor)

voluntas PLASTER COUNTER

Six-door, lockable piece of furniture with working plate made of granite (3 cm) and ten drawers
Six bottom inserts for flexible adjustment of the storage compartments in the interior
Ideal for the manufacture of plaster models, placing of various devices and storage of consumables
Equipment: Washbasin with tap, garbage system, 18 easily accessible socket outlets
Size (W x H x D): 266.4 x 95.5 x 124.4 cm
Weight: approx. 850 kg



Rear view - Dimensions in cm



Including devices



Fully integrated dishwasher

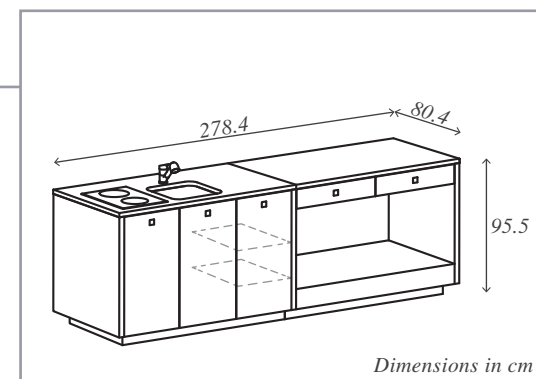


Garbage system

Cutlery tray

delectatio KITCHENETTE

Three-door kitchenette with working plate made of granite (3 cm) and two drawers
Two bottom inserts for flexible adjustment of the storage compartments in the interior
Equipment: Ceramic glass hob, dishwasher (width: 45 cm), washbasin with tap, garbage system, cutlery tray
Size (W x H x D): 278.4 x 95.5 x 80.4 cm
Weight: approx. 490 kg



Dimensions in cm





Zirkonzahn®



MY LABORATORY

Zirkonzahn Worldwide – An der Ahr 7 – 39030 Gais/South Tyrol

T +39 0474 066 660 – F +39 0474 066 661 – www.zirkonzahn.com – info@zirkonzahn.com



WEAA0622=